



Installation Instruction

Surface Mount Hardware for Storm Doors

IMPORTANT! Read thoroughly before beginning. Failure to install as recommended will void any warranty, express or implied.

Supplies Needed:

- Handle Kit Package

Tools Required:

- Centerpunch
- Drill
- 3/32" drill bit
- 5/16" drill bit
- Phillips screwdriver
- Scissors

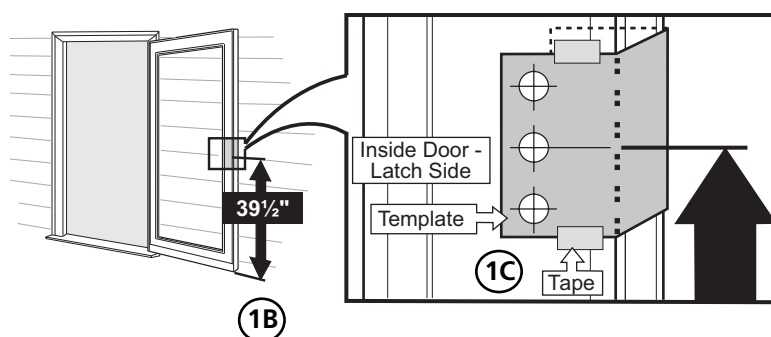
NOTE: The handle style shown in the illustrations may be different than the style of handle being installed. The steps for installing the handles will be the same for all handle styles.

1 TEMPLATE FOLDING AND POSITIONING

- A. Cut out the template located on page 3 and fold on the two lines as indicated.

NOTE: When printing instruction, set page scaling to none. Template should measure 4-1/2" x 2-1/2".

- B. Place the template on the latch side of the door. Align the center hole, 39-1/2" up from the bottom of the door.
- C. Make certain the template holes are aligned vertically and tape in place.

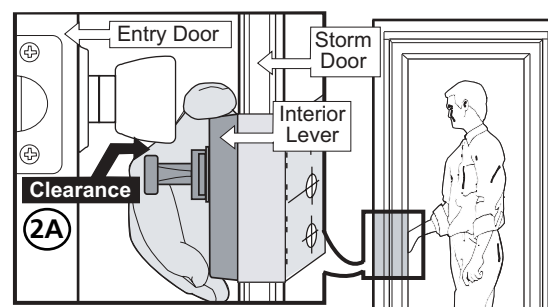


2 INSTALLING THE INTERIOR LEVER AND HANDLE

- A. Check to make sure the interior lever will not interfere with the knob or handle of your entry door.

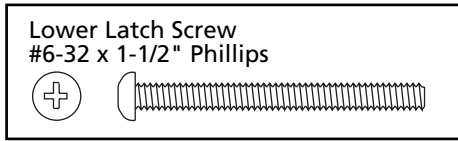
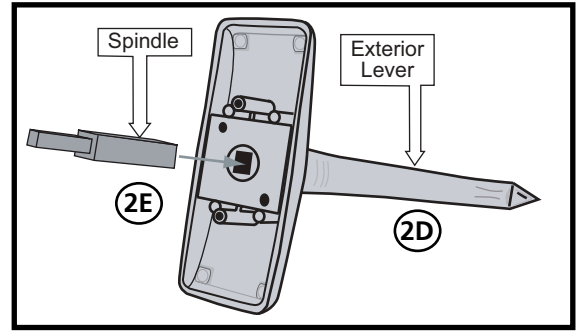
NOTE: If there is interference, move the template up or down enough to correct for clearance.

- B. Center punch the hole locations on both sides of the door, then remove the template.
- C. Drill 5/16" holes halfway through the door on one side and repeat for the other side.

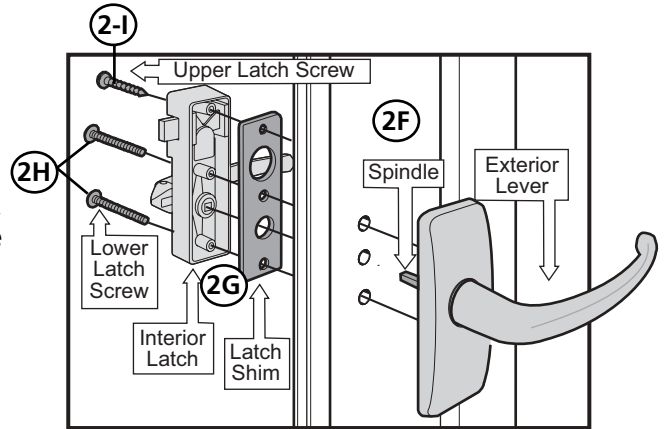
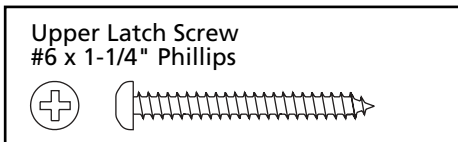


2 INSTALLING THE INTERIOR LEVER AND HANDLE (Continued)

- D. Rotate the exterior lever as shown.
- E. Insert the spindle into the back of the exterior Lever.
- F. From the outside of the door, set the exterior lever assembly into the door.
- G. From the interior, position the interior latch and latch shim onto the spindle.
- H. Secure using two lower latch screws into the lower two holes of the interior latch.



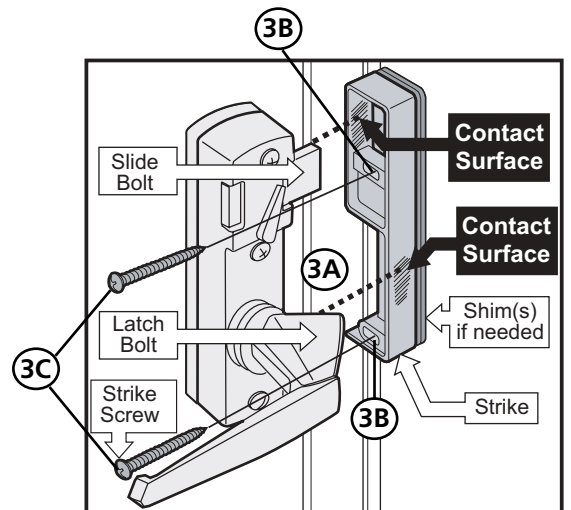
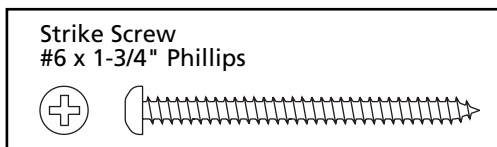
- I. Using the top hole in the interior latch as a guide, predrill a 3/32" pilot hole no more than 1/2" into the door. Install the upper latch screw.



NOTE: To make certain you do not drill too far into the door, use a piece of tape to mark the drill depth (1/2") on the drill bit.

3 INSTALLING THE INTERIOR LATCH AND STRIKE

- A. Close the door and position the strike so it makes contact with the latch bolt and slide bolt as illustrated. Engage the slide bolt to aid in strike alignment.
- B. Mark and drill the holes using a 3/32" drill bit in the center of the slotted holes.
- C. Install two strike screws. Adjust the strike so the door closes securely.



NOTE: Shims are included if it is necessary to build out the strike.

NOTE: When printing template, set page scaling to none. Template should measure 4-1/2" x 2-1/2".

