



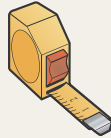
Pella® Storm Door Owner's Guide and Installation Manual Extruded Aluminum Rolscreen® Models

NOTE TO THE INSTALLER:

This Owner's Guide and Installation Manual is the property of the homeowner. Please leave it with the homeowner upon completion of the installation.



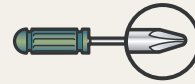
Recommended Tools



Tape Measure



Power Drill with
1/8", 3/32", 3/8" drill bits
(7/8" spade bit included)



Phillips Screwdriver #2

For safety reasons, the assistance of a second person is recommended when handling the door.

Read the legend below in order to easily follow along and install your storm door. For reference, the storm door assembly is illustrated on page 2.

Legend

1 • 2 • 3 ... Follow the steps in order



Steps in **BLUE** apply to **LEFT HINGE** configurations.
(Hinge side will be determined in a later step.)



Steps in **GREEN** apply to **RIGHT HINGE** configurations.
(Hinge side will be determined in a later step.)

To order replacement parts, call

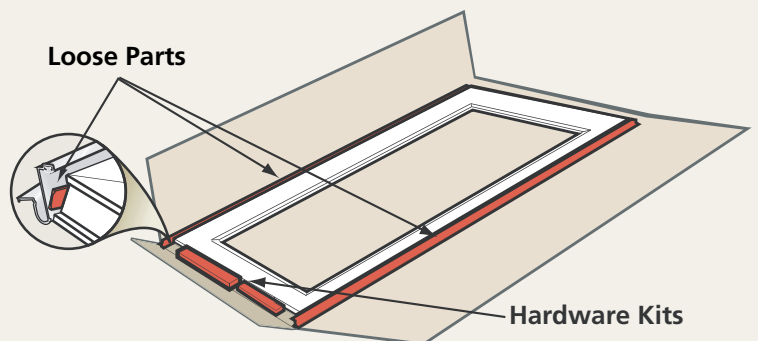
1-800-374-4758

or visit us at

www.pella.com

Please have your registration number ready when you contact us either by telephone or on the internet.

Lay door flat. Make sure ALL parts are accounted for before discarding carton.

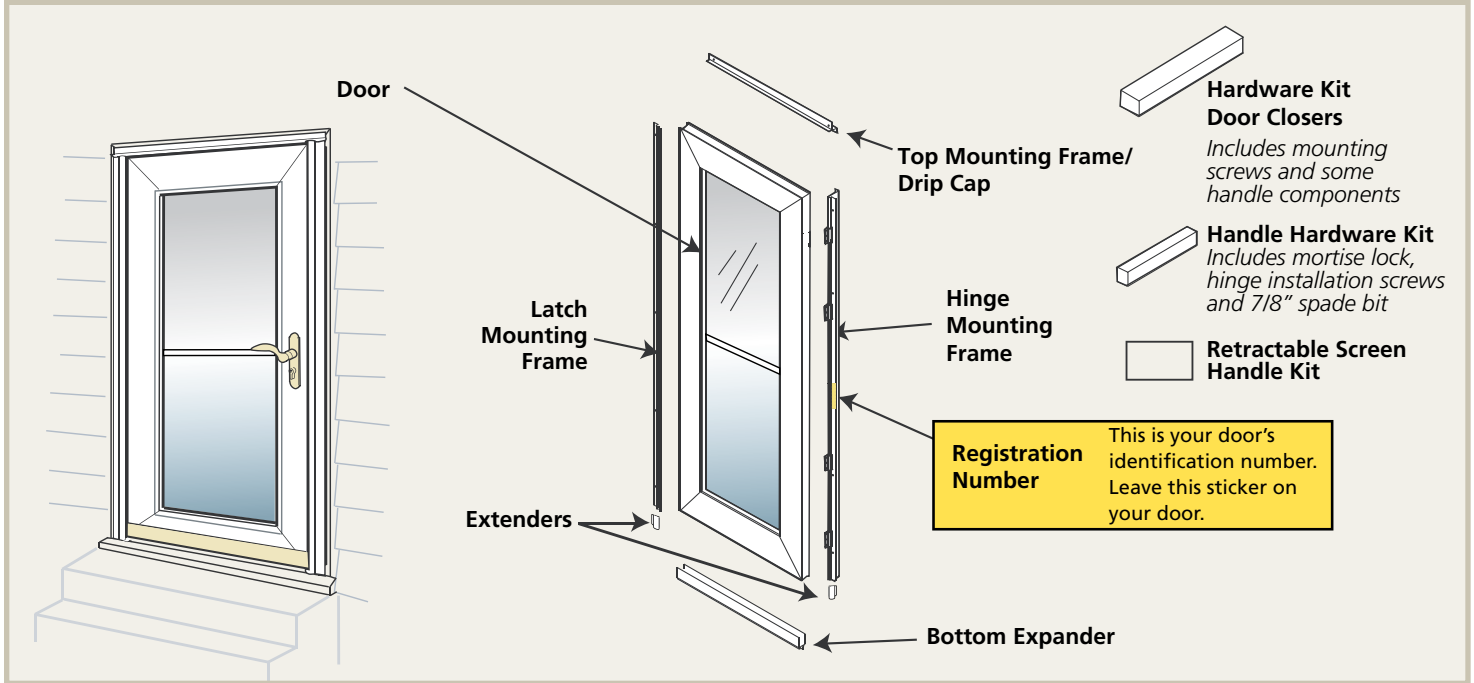


The carton material is recyclable

TROUBLESHOOTING GUIDE is located on page 12 of this manual.

Storm Door Components

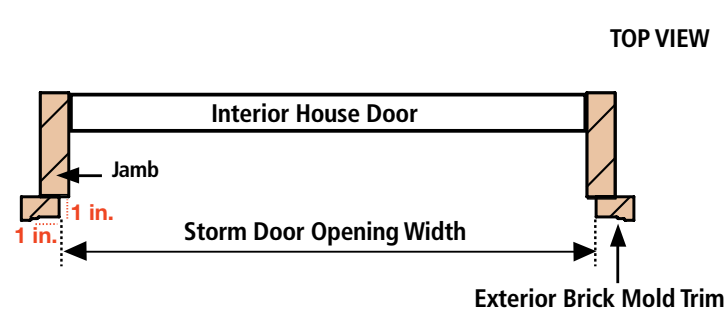
NOTE: Actual door styles may vary from illustrations, however, the installation steps will be the same.



Before you begin

Make sure brickmold trim is in good condition and securely fastened before beginning installation. It is highly recommended that additional fasteners be used to reinforce brickmold trim.

Shimming may be required to fit existing opening (shims not included). Measure the width of the opening in three locations. Using the smallest measurement, refer to the chart below and shim as needed.



1 in. wide x 1 in. deep mounting surface is required.

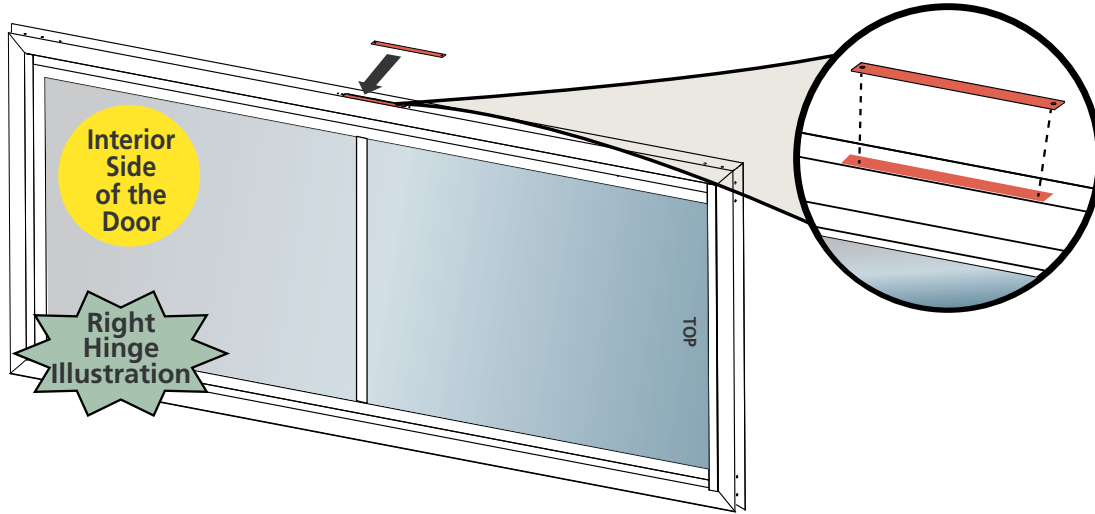
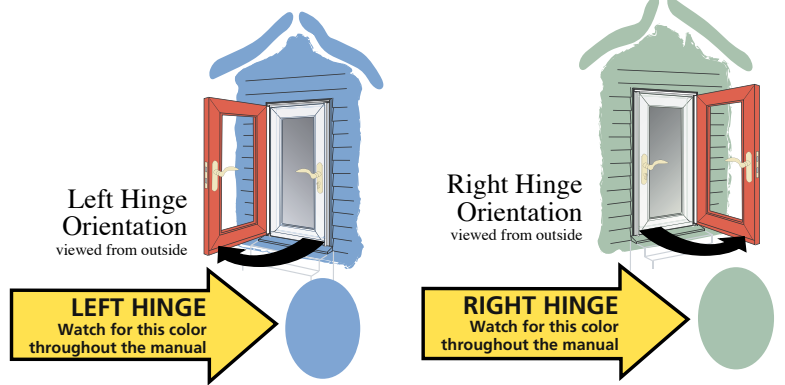
Standard Door Sizes	Min-Max Doorway Width	Min-Max Doorway Height
32 in x 81 in	31-7/8 to 32-3/8 in	80 to 81 in
36 in x 81 in	35-7/8 to 36-3/8 in	
30 in x 81 in	29-7/8 to 30-3/8 in	
34 in x 81 in	33-7/8 to 34-3/8 in	

START
Your Installation

1

Determine the side you want your door to hinge.

On the HINGE SIDE, remove hardware drilling template sticker (keep the template on the latch side). Position edge cover over mortise hole on hinge side of door.



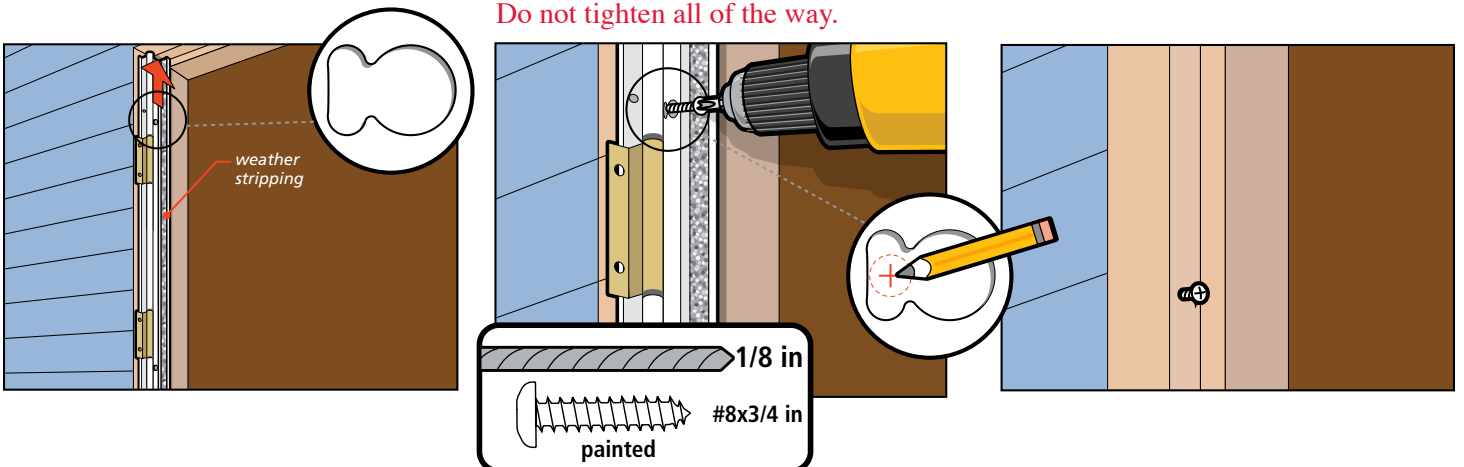
2

Set Placeholder Screw for Hinge Rail (Left Hinge shown)

2A Place the hinge rail tight against the left side of door frame and slide to top.

2B Use FIRST hole from top only. Mark hole with pencil, remove hinge rail, pre drill and attach placeholder screw as shown. *Do not tighten all of the way.*

2C Leave 1/16" to 1/8" of screw exposed.



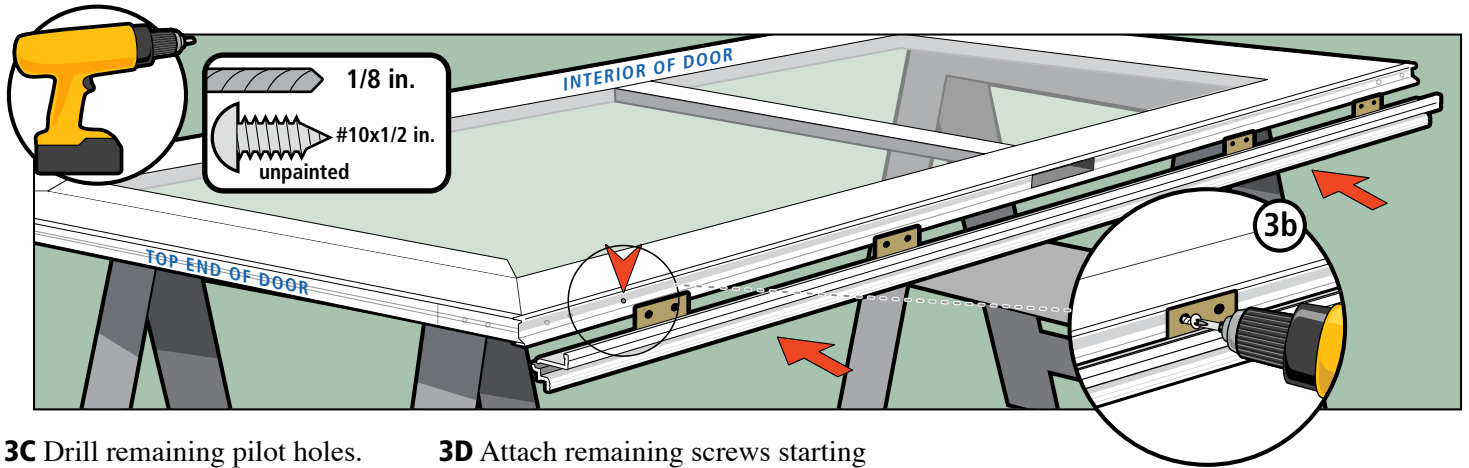
3 Attach Hinge Rail to Storm Door (Right Hinge shown)

3A Place interior side face up.

3B Locate hinge locator mark near top end of door, and place hinge rail as shown. ▼

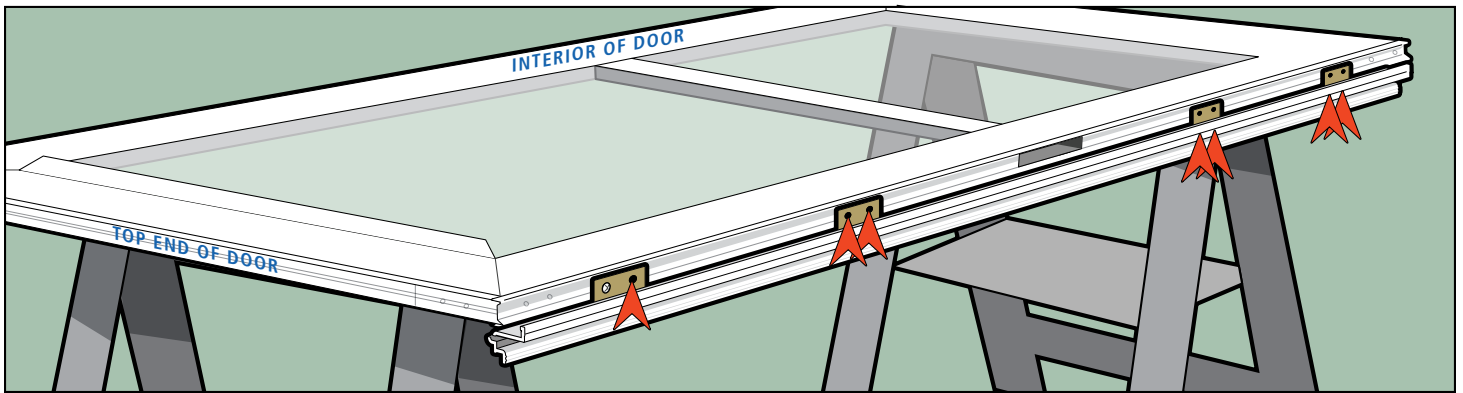
Drill 1/8" pilot hole. Attach #10 x 1/2" hinge screw into pilot hole.

Note: The longest point of the hinge rail will extend past the top of the door by 3/16".

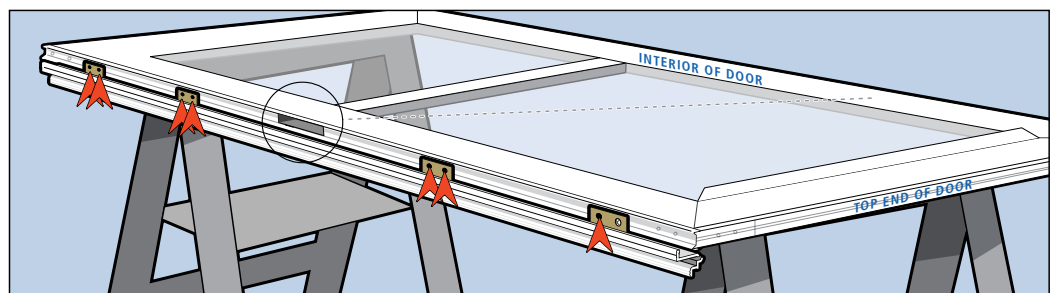
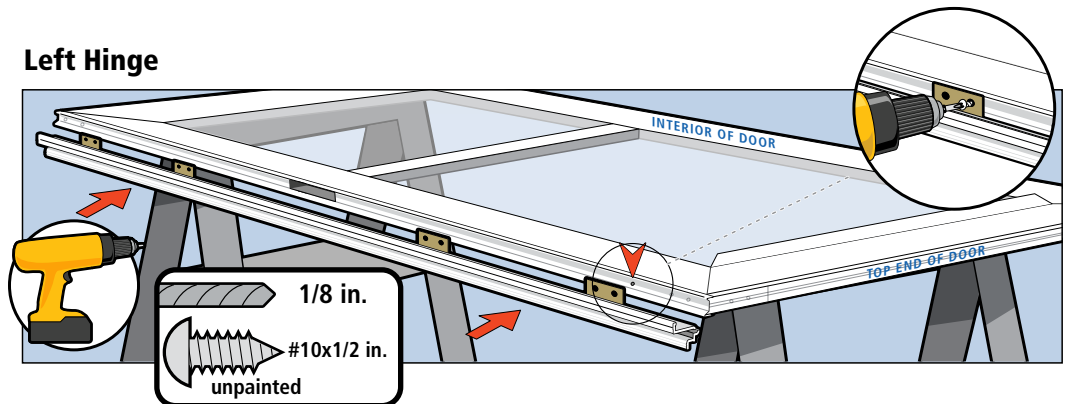


3C Drill remaining pilot holes.

3D Attach remaining screws starting from the bottom. ▼



Left Hinge



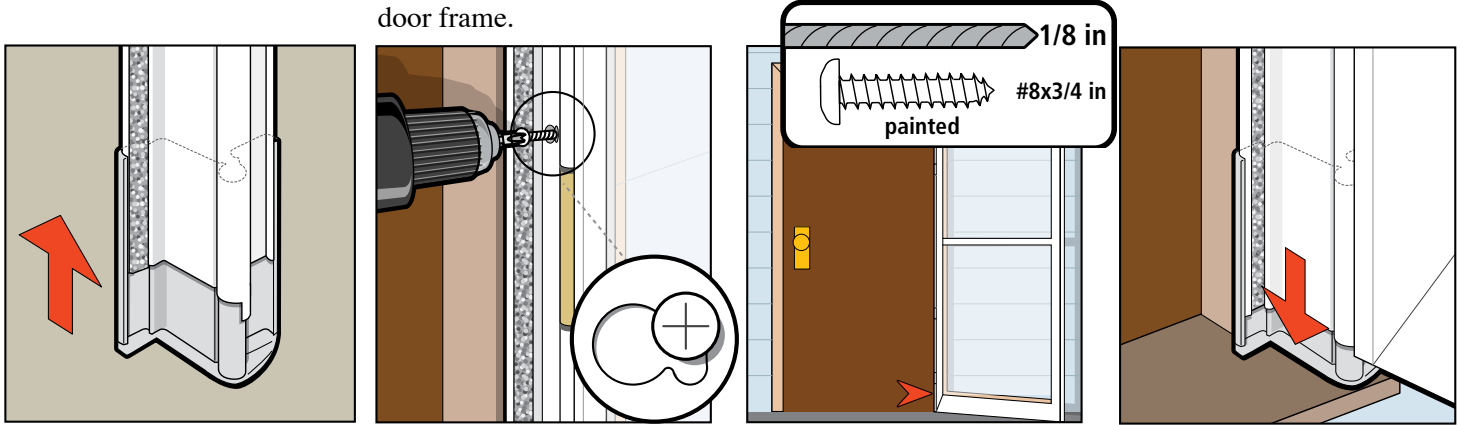
4 Attach Storm Door to Door Frame (Right Hinge shown)

4A Slide rail extender into the bottom of the hinge rail.

4B Hang storm door onto door frame using the placeholder screw. *The door will settle approximately 1/16".* Tighten screw while pushing top of hinge rail tight against the door frame.

4C Pre-drill hole on bottom inner side of hinge rail and install screw to secure door opening. Do not overtighten.

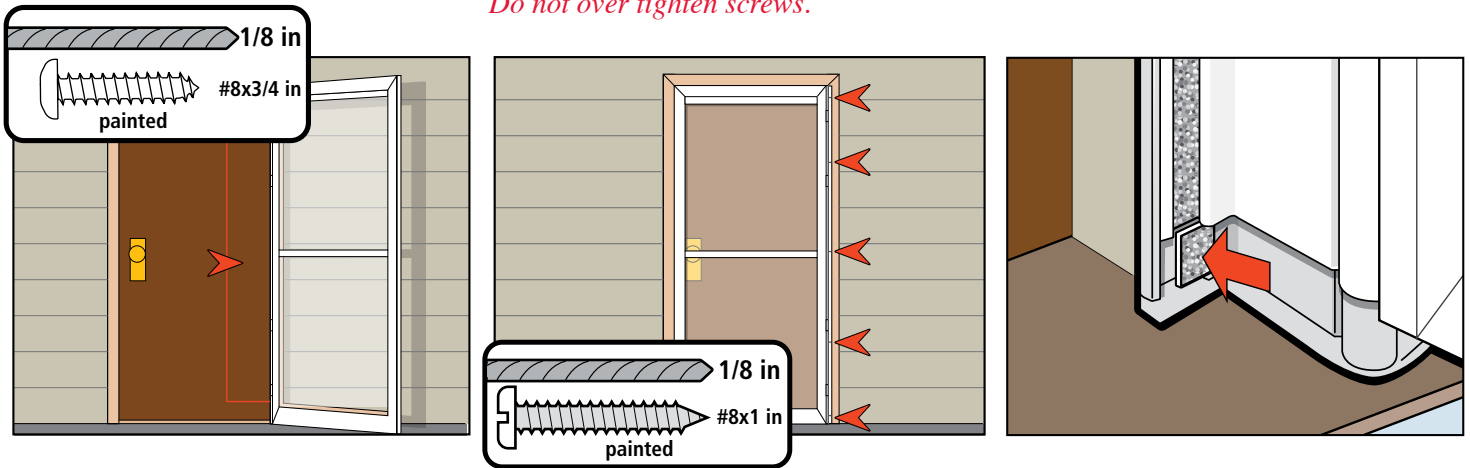
4D Slide rail extender to sill. Loosen hinge rail screw as needed.



4E Pre-drill holes and place screws on the inner side of hinge rail in all 8 locations. *Do not over tighten screws.*

4F Push door tight against door frame, then pre drill holes and install screws on the outer side of hinge rail. *Do not over tighten screws.*

4G Cut extender weatherstripping to length, peel adhesive backing and install.



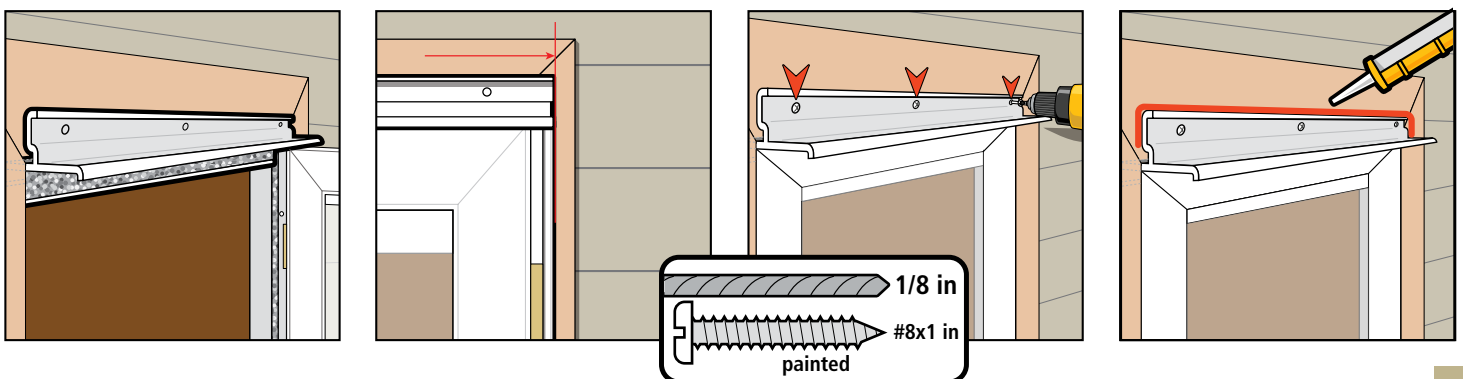
5 Install the Drip Cap

5A Place the drip cap on the door frame above the storm door.

5B Close door to verify consistent clearance. Align drip cap to end of hinge rail.

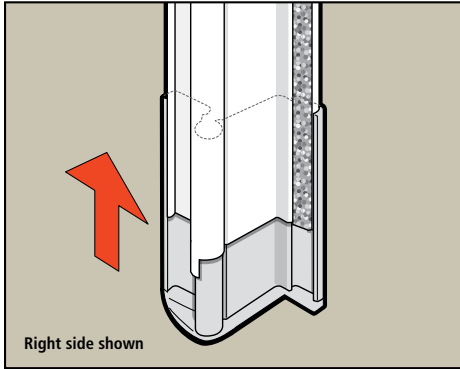
5C Pre-drill holes and install screws.

5D Caulk if desired.

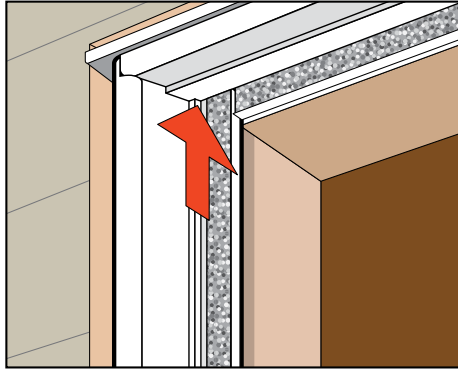


6 Install Latch Rail (Right Hinge shown)

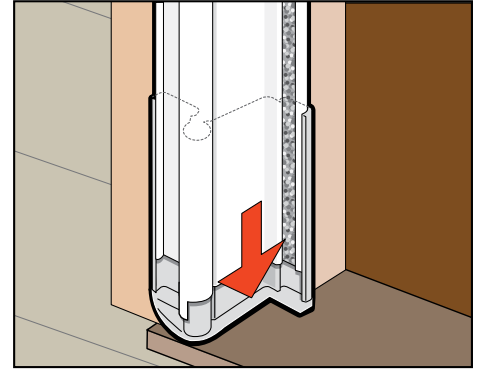
6A Slide rail extender into the bottom of latch rail.



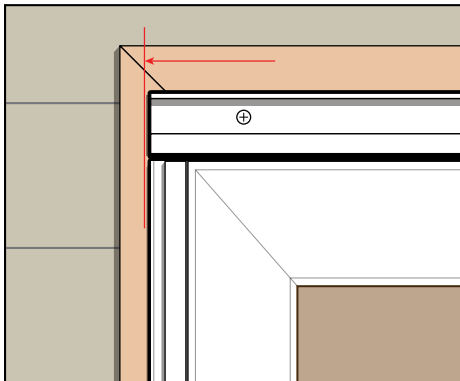
6B Place latch rail tight against the drip cap.



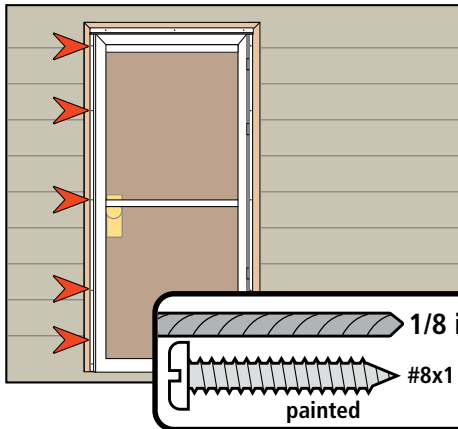
6C Slide rail extender to sill.



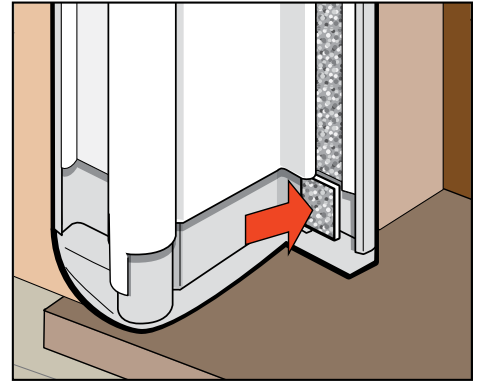
6D Verify that the door closes freely without hitting the latch rail. Align outside edge of latch rail with outside edge of drip cap.



6E Starting at the top hole, predrill and fasten the latch rail with a #8 x 1" screw. Align the edge of the door panel and mounting frame from top to bottom. Continuing down the latch rail, predrill and install one screw at a time, keeping a consistent reveal.



6F Cut extender weather stripping to length, peel adhesive backing and install.



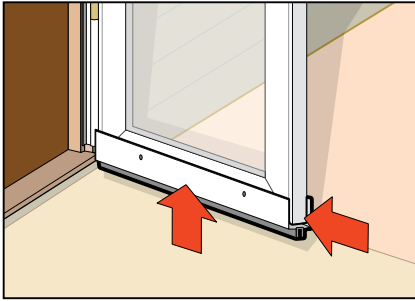
7 Install your handleset

a The handle template is pre-applied to the door. Drill holes as shown on template. Drill from each side; do not drill straight through. Remove template after drilling.

b Follow handle instructions in handle hardware kit.

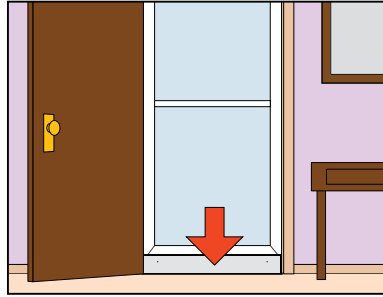
8 Install Expander

8A Slide expander on door with slots to the interior.

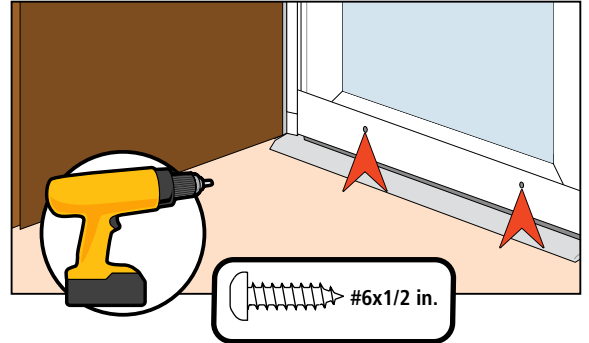


8B Adjust the expander until the sweep touches the threshold.

From the interior, drill a 3/32" hole in the center of each slot.



8C Secure expander with the #6 x 1/2" screws, located in the handle kit.



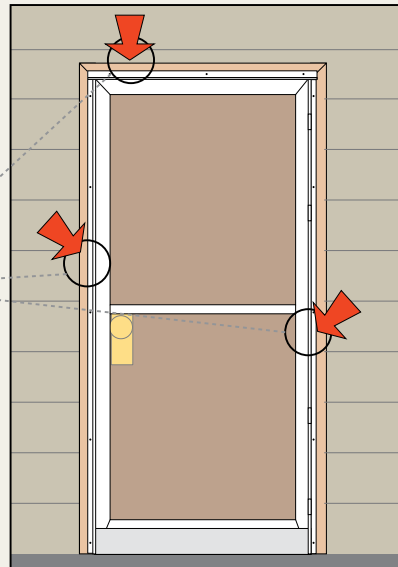
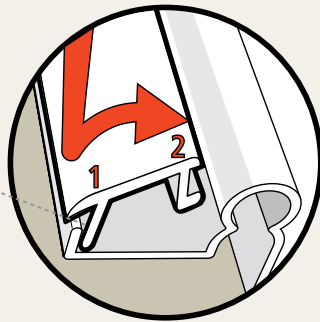
9 Finishing Touches

Screw Covers

Snap strips into place by anchoring the outer side first (*Screw covers may need to be trimmed to length*).

Start at the top ends and slide finger down strip while pressing.

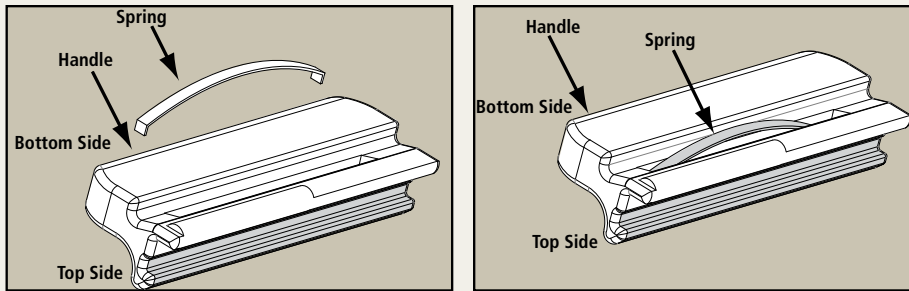
NOTE:
Straight leg towards
outside of rail (marked with a
black line)



9 Finishing Touches continued

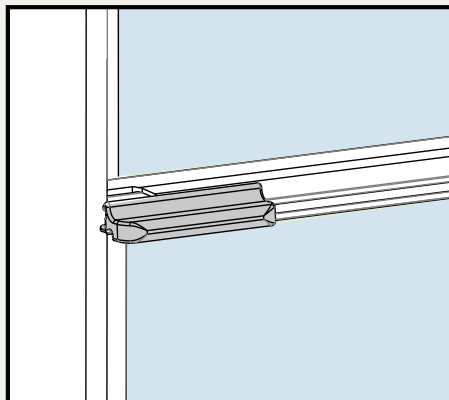
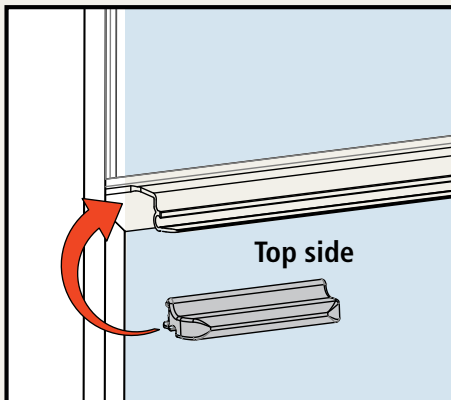
Window Handle Installation

9A Install spring into bottom of handle.

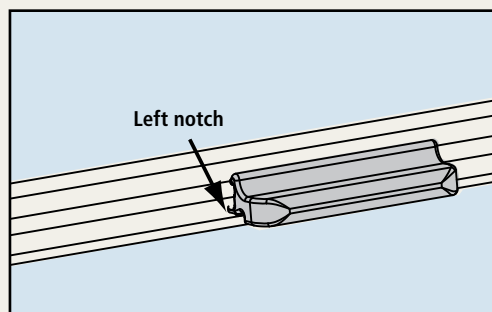
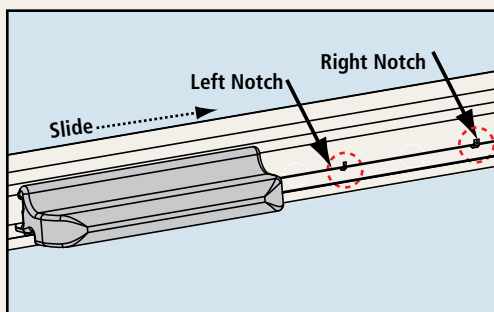


9B To install handle onto window, open top window to a comfortable height for handle installation.

Slide the handle (with the spring installed and facing down) into the top rail channel starting at the left side of the top of the operating glass. The spring may need to be compressed slightly to allow the handle to slide into the channel.

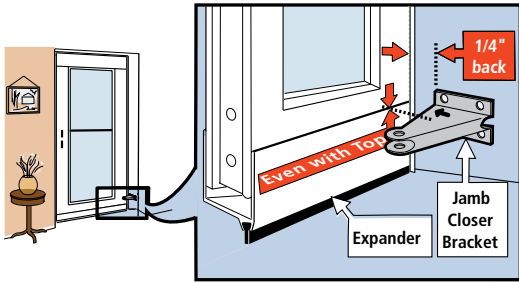


9C Slide the handle past the first (left) notch. There will be some resistance. **THEN STOP!** The handle should not go past the second (right) notch. Left notch will be visible when handle installation is complete. Right notch will be hidden behind handle.

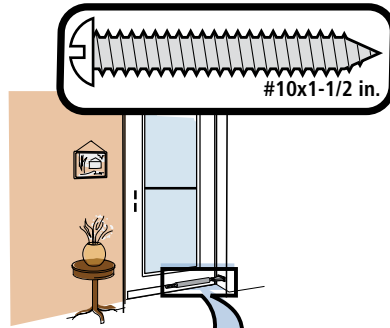


10 Door Closers

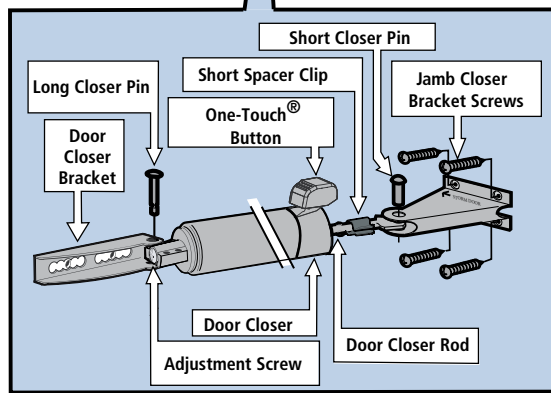
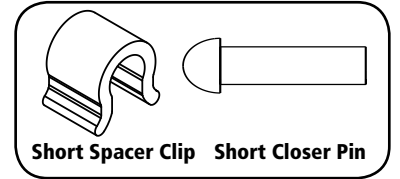
10A On the hinge side of your entryway, position a jamb closer bracket even with the top of the expander, (see the dotted line in the illustration) and 1/4" back from the mounting frame. Mark the screw hole locations and drill 1/8" diameter holes.



10B Install the bottom jamb closer bracket using four jamb bracket screws (#10 x 1-1/2" Phillips pan head).



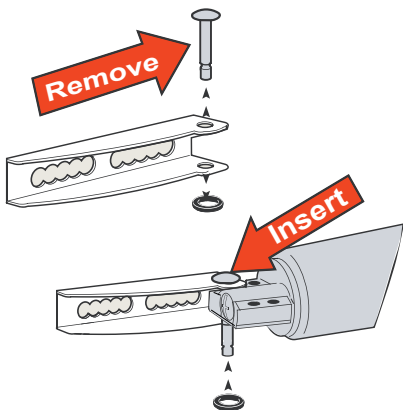
10C Attach the bottom closer (with One-Touch® button) rod to the jamb bracket using the short closer pin, then pull the door closer and slide the SHORT spacer clip onto the closer rod as shown. Position the closer so the One-Touch® button is along the top of the closer.



10D Attach the door closer bracket to the door closer by removing the O-ring from the long closer pin, inserting the pin, and securing with the O-ring.

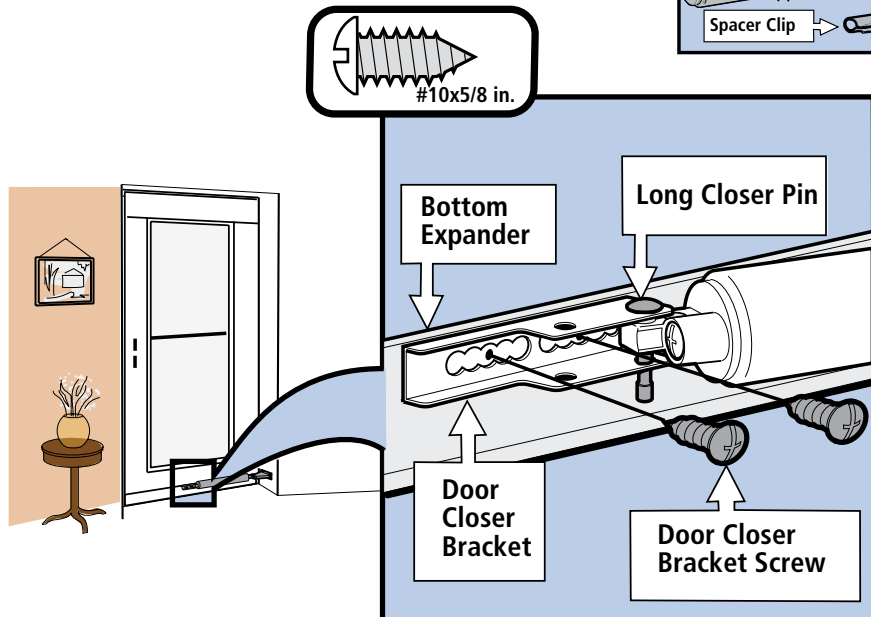
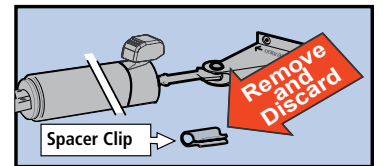


10E With the door tightly closed, align the bottom door closer bracket with the top of the bottom expander. Mark the centers of the hole pattern. Center punch and drill 1/8" diameter holes through the interior face of the door.



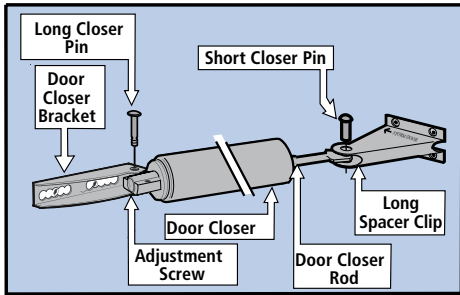
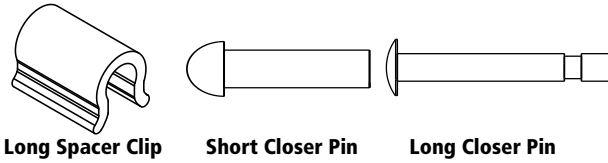
10F Install the door closer bracket with two door closer bracket screws (#10 x 5/8" Phillips pan head).

10G Discard spacer clip from the closer rod.

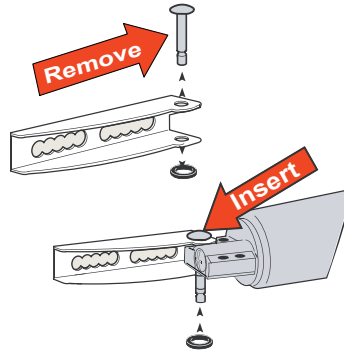


Door Closers continued

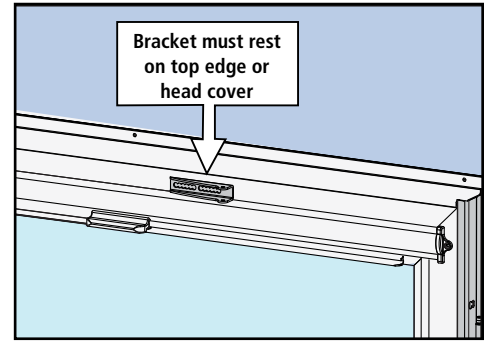
10H Attach the top closer rod to the jamb bracket using the short closer pin, then pull the door closer and slide the LONG spacer clip onto the closer rod.



10I Attach the door closer bracket to the door closer by removing the O-ring from the long closer pin, inserting the pin, and securing with the O-ring.



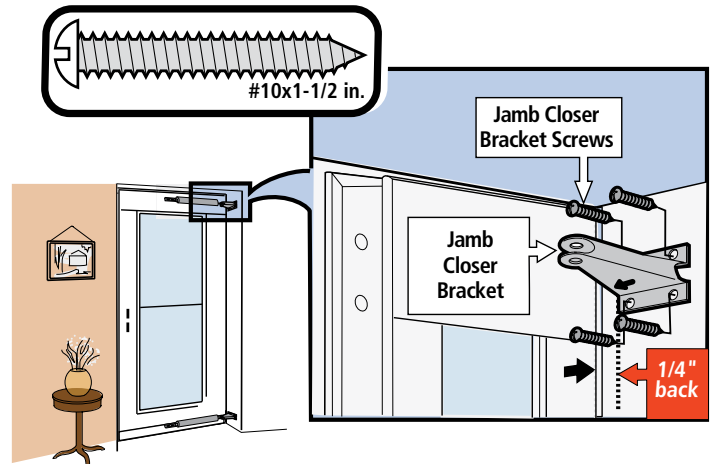
10J Rest the door closer bracket on the screen head cover for vertical placement.



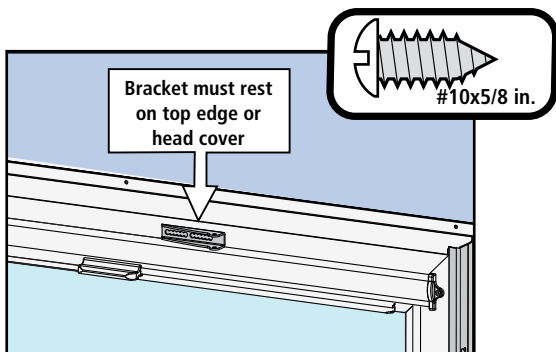
10K Slide closer jamb bracket tight against door jamb.

Holding the closer level, position the jamb closer bracket against the entryway jamb. Ensure the jamb closer bracket is 1/4" back from the hinge side mounting frame, mark the mounting screw locations and drill 1/8" diameter pilot holes.

Install the jamb closer bracket using four jamb bracket screws (#10 x 1-1/2" Phillips pan head). Note: Temporarily removing the door jamb bracket from the closer may make installation of the bracket easier.

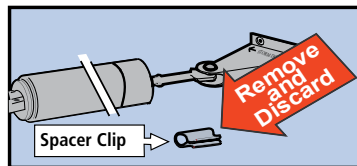


10L Rest the door closer bracket on the screen head cover, and position the end of the door closer bracket. Mark the screw locations for the top closer bracket. Center punch and drill 1/8" diameter pilot holes.

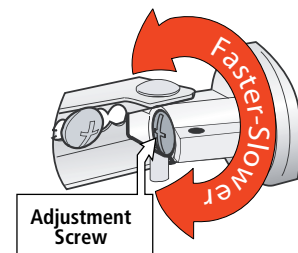


10M Install the top closer bracket with two door closer bracket screws (#10 x 5/8" Phillips pan head).

Discard spacer clip from the closer rod.



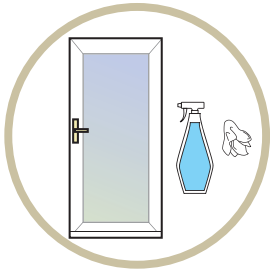
10N Open the door and check closer speed. Turning the adjustment screw to adjust speed of each closer. Turn the screw clockwise to reduce closer speed or counter clockwise to increase closer speed.



Operating the One-Touch® Button:
Tap the button and open the door. To close, nudge the door open slightly.

Care and Maintenance

Door Cleaning

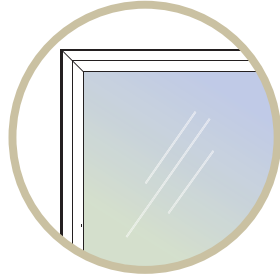


Use a soft cloth with any household grease-cutting cleaner to clean the door.

PLEASE NOTE: Thin marks on the painted surfaces of the door can be removed using turpentine and lightly rubbing with a clean cloth.

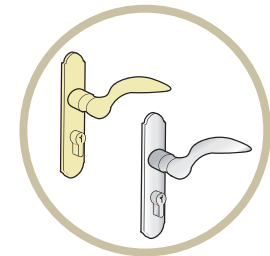
IMPORTANT: DO NOT use brass polish or steel wool on the bottom expander. Use a household grease-cutting cleaner or a mild soap and water solution.

Glass Cleaning



Routine Cleaning: Use any household glass cleaner.

Handle Cleaning



Routine Cleaning: Use a soft cloth with a mild soap and water solution to clean the surfaces.

Apply a high quality, non-abrasive automobile wax to polish.

Note: DO NOT use ammonia-based cleaners on brass or other metallic finish handles.

Cleaning & Refinishing Damaged Brass

If your Pella® door includes a brass handle, the brass is polished and sealed with a clear coating by the manufacturer. Should the finish be accidentally damaged by an abrasive or sharp object, it will succumb to a natural oxidation process that occurs when the elements contact unprotected brass. Brass has an enduring quality, in that it can be refurbished to its original polished finish again and again by using a quality brass polish and a soft cloth. Do not clean the bottom expander in this manner - see door cleaning above.

1. Remove the hardware from the door so the finish of the door will not be affected. See the hardware instructions for removal.
NOTE: you may be able to leave the hardware in place on the door when polishing the handle only – make certain to completely mask off all areas around the handle before starting. If polishing the key cylinder, protect the internal mechanism by covering the opening with tape.
2. Use a quality brass polish or cleaner to clean the brass. Follow the product's directions and cautions. Note: Firm rubbing may be necessary to loosen the coating on the brass.
3. Reseal the brass per instructions below.
 - a. Use the properties from the brass polish you used to clean the brass. (Easiest method, but requires more frequent polishing.)
 - b. Apply a high quality, non-abrasive, polymer-based automobile wax to seal the surface.
 - c. Apply a new clear coat with a clear lacquer spray - follow the product's directions. (Most difficult, but lasts the longest.)

PLEASE NOTE: If you removed the hardware from the door, lubricate any internal workings with a spray lubricant. Reinstall the hardware on the door. See the hardware instructions for installation.

Troubleshooting Guide

If you have a question that you do not see listed here, or have not been able to resolve through your Pella® Owner's Guide and Installation Manual, call one of our customer service representatives toll-free at 1-800-374-4758 or visit www.pellastormdoors.com.

Common Questions	Probable Causes	Suggested Solutions
Door does not open or close properly	Entryway framing is out or square/plumb or frame is warped	1. Verify the entryway framing and shim as necessary. [see page 2]
	Closer(s) out of position or adjustment	1. Remove the adjustment screw from the closer(s), cycle the door a few times, then replace the screw. 2. Adjust the position of the closer door bracket until the door operates properly.
	Bottom Expander is out of position	1. Verify the expander is centered on the door—adjust if necessary. 2. Verify the expander is not too low—adjust as necessary.
	Hinges are binding	1. Verify mounting frame screws are not over tightened—back off screws slightly. 2. Verify entryway framing is not twisted or warped—shim or modify as necessary. 3. Verify hinge mounting frame is not twisted or bent — replace if necessary.
Handle does not latch properly	Latch not hitting trim plate	1. Adjust the trim plate until the latch catches. [see separate hardware instruction]
	Closer is out of position	1. See "Closer(s) out of position" in the "Door does not open or close properly" question above.
Water between the storm door and entry door	Bottom Sweep is making a tight seal against the door sill	1. Open the storm door and notch up to 1/2" off the ends of the black vinyl sweep.

Pella® Storm Doors Limited Warranty

Congratulations on choosing a Pella storm door to protect and beautify your home. This superior quality door has been designed to give you years of trouble-free service, and you are protected by this limited warranty:

Pella warrants to the ORIGINAL HOMEOWNER PURCHASER of this storm door that it will, without charge to the purchaser, provide parts or exchange, at its option, any door determined to be defective in material or workmanship for 20 years after the purchase date. The purchaser will be responsible for transportation charges. Should the door be determined to be defective in material or workmanship AFTER 20 years from the purchase date, the original purchaser may buy one new Pella storm door at 50% of the then-current manufacturer's suggested list price for as long as the original purchaser owns the home on which the door was installed. The purchase must be made directly from the factory, and all transportation charges are the responsibility of the purchaser.

Should the door be determined to be defective and the purchaser incurs a reinstallation cost within three years of the purchase date, he or she may be reimbursed for these costs up to a maximum of \$25.00, upon furnishing a copy of the invoice for the reinstallation costs.

As a condition of this warranty, it is required that the door be used for residential use only in an owner-occupied home, that it be installed properly as an operating door according to manufacturer's instructions, and that it not be altered in any way. For multi-unit housing applications, ask your dealer for a copy of the appropriate warranty or phone Pella's Customer Service Department at the phone number listed below. This warranty is not transferable.

To make a claim under this warranty, you should:

- a) Call our Customer Service Department at 1-888-646-5354 or write to Pella Warranty Service; 2333 Eastbrook Drive; Brookings, SD 57006 USA.
- b) Furnish original or a copy of the sales receipt or other documents showing the original purchase date and that you are the original purchaser of this door.
Exchange is limited to supplying a replacement door of comparable size, style, and color and does not include cost of removal or installation except as noted.

The warranty on the latch set and air closer is one year, and any labor charges are not covered. This warranty excludes all damage to glass and screen. This warranty does not cover problems caused by improper storage, handling, installation, use, modification, or maintenance, by Acts of God or by accidents, including accidental glass breakage. It does not apply to normal wear or discoloration of finish; finish problems caused by mechanical damage or abrasion; normal effects of sun and weather, including acid rain, salt spray, or other corrosive elements; damage caused by severe wind; or damage caused by customer abuse or neglect. Oil-Rubbed Bronze is a living finish that will develop its own unique patina with use and is not covered under the Lifetime Finish Guarantee. Bright Brass, Antique Brass, Brushed Brass and Satin Nickel hardware is guaranteed not to tarnish and carries a lifetime finish warranty for as long as the purchaser owns their home.

THIS WARRANTY EXCLUDES ALL INCIDENTAL AND CONSEQUENTIAL DAMAGES. Nothing in this document shall give rise to or extend the period of any warranties implied under state or provincial law, and no implied warranty shall extend beyond the periods covered by this written warranty. Neither Pella Corporation nor any seller of Pella products will be responsible for incidental or consequential damages which may result from a product defect or malfunction. Some states do not allow the exclusion or limitation of incidental or consequential damages, so the above limitation or exclusion may not apply to you. This warranty gives you specific legal rights, and you may have additional rights which vary from state to state. Effective 7/2006.

© Pella Corporation