



Installation Instruction

Surface Mount Hardware

IMPORTANT! Read thoroughly before beginning. Failure to install as recommended will void any warranty, express or implied.

Supplies Needed:

- Handle Kit Package

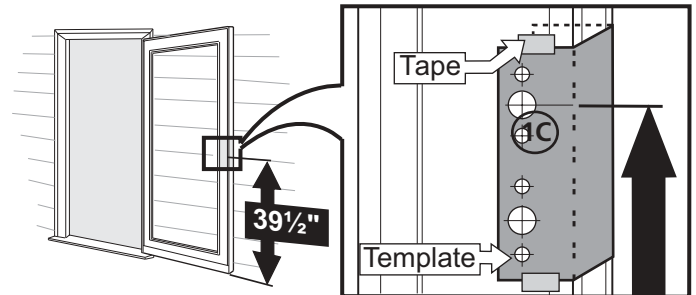
Tools Required:

- Centerpunch
- Drill
- 3/32" Drill bit
- 5/16" Drill bit
- 7/8" Spade bit (provided)
- Phillips screwdriver
- Scissors
- 3/32" Hex key (provided)
- 1/8" Hex key (provided)

NOTE: The handle style shown in the illustrations may be different than the style of handle being installed. The steps for installing the handles will be the same for all handle styles.

1 TEMPLATE FOLDING AND POSITIONING

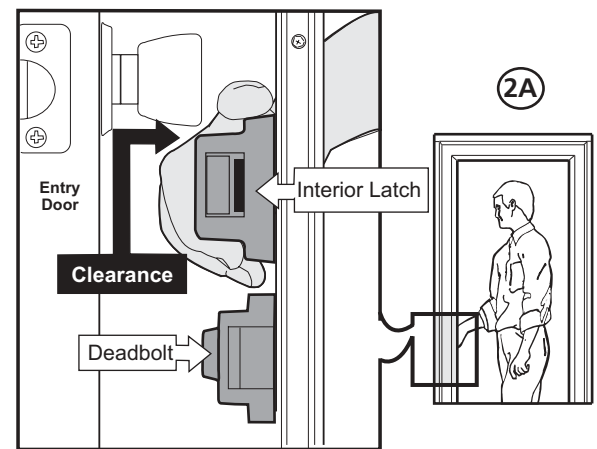
- Cut out the template located at the bottom of this page and fold on the two lines as indicated.
- Position the template on the latch side of the door. Align the upper large 7/8" diameter hole, 39-1/2" up from the **bottom** of the door.
- Make certain the template holes are aligned vertically and tape in place.



1B

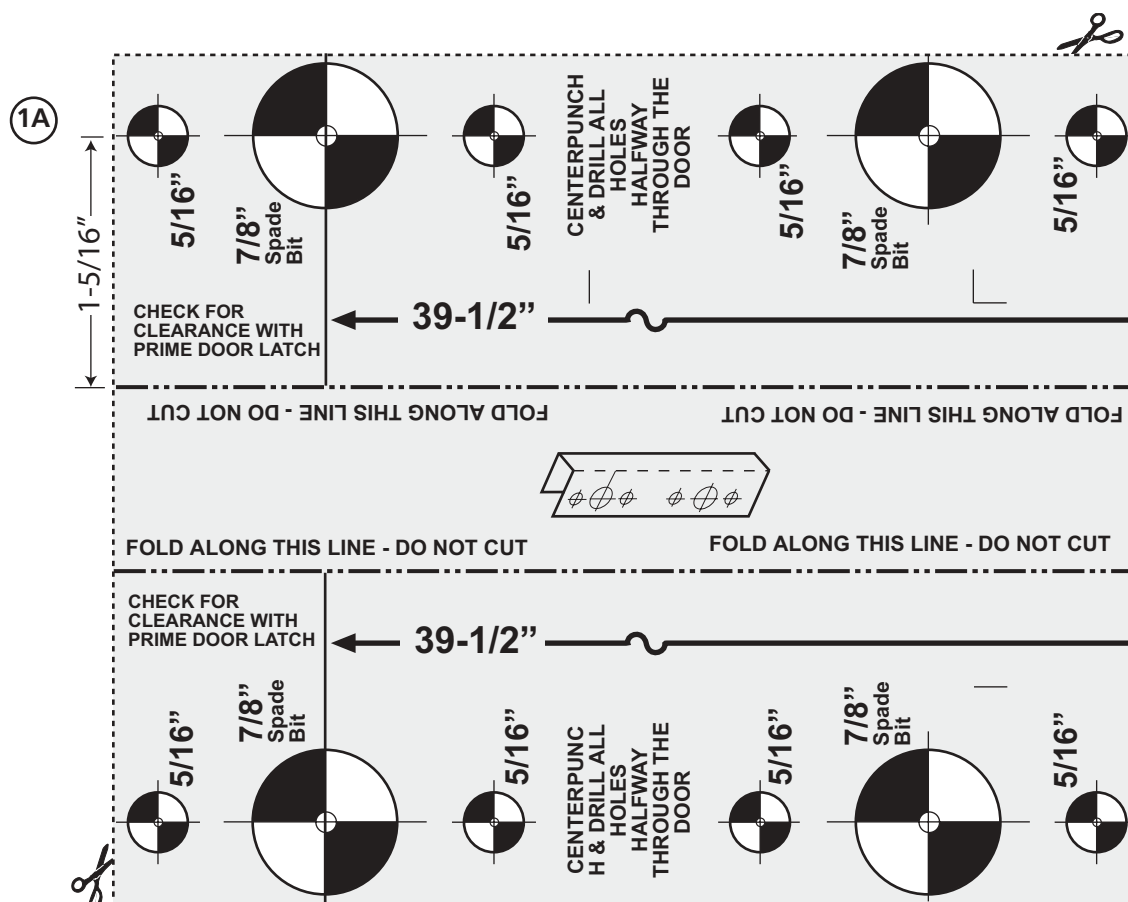
2 INTERIOR LEVER POSITIONING

- Hold the interior latch and deadbolt onto the template to test the clearance with your entryway door handle. Move the template up or down enough to eliminate any interference.
- Centerpunch, remove the template and drill holes halfway through the door from each side using the drill bits indicated.



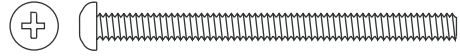
2A

Continued on page two

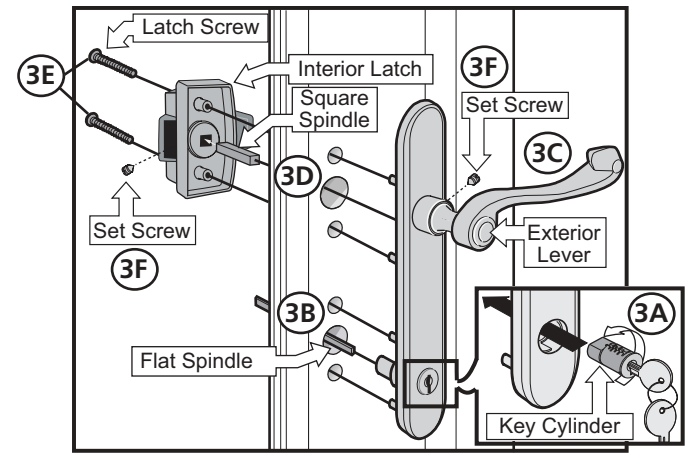


3 INSTALLING THE INTERIOR LATCH AND EXTERIOR LEVER

- Insert a key in the key cylinder, slide the cylinder into the exterior handle and rotate 180 degrees (halfway), then remove the key, securing the cylinder in place.
- Insert the flat spindle into the back side of the key cylinder.
- Set the exterior lever in place and rotate the lever to the proper position.
- Insert the square spindle into the back of the interior latch.
- From the inside, install the interior latch and secure using two #6-32 x 1-7/8" latch screws.

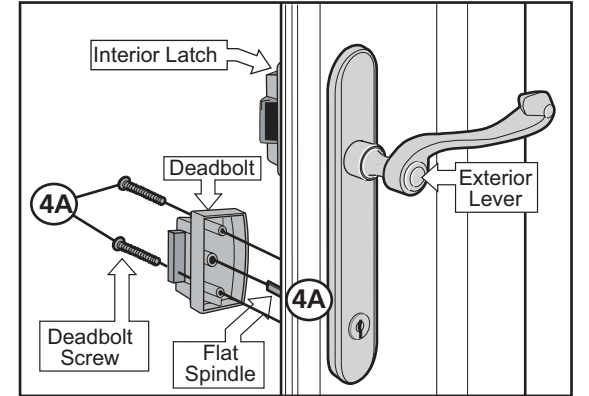
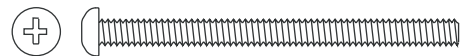


- Hold the exterior lever and interior latch together and tighten the set screw on both levers with the hex keys provided. (1/8" for exterior and 3/32" for interior.)



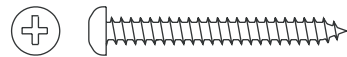
4 INSTALLING THE DEADBOLT

- Position the deadbolt onto the flat spindle and secure using two #6-32 x 1-7/8" deadbolt screws.

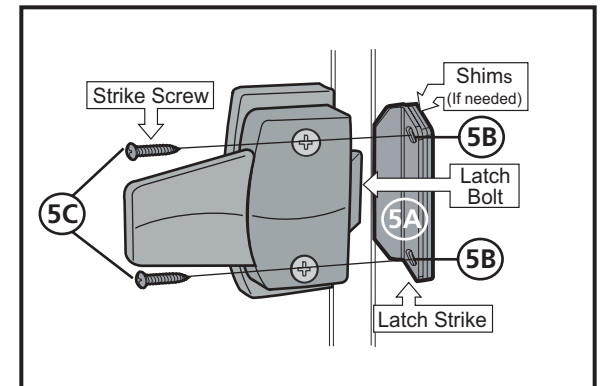


5 INSTALLING THE LATCH STRIKE

- Close the door and position the angled latch strike behind the latch bolt.
- Mark and drill the centers of the slotted holes using a 3/32" drill bit.
- Install the two #6 x 1-1/4" strike screws. Adjust the strike for proper operation.



NOTE: Shims are included if it is necessary to build out the strike.



6 INSTALLING THE DEADBOLT STRIKE

- Position the deadbolt strike behind the deadbolt.
- Mark and drill the centers of the slotted holes using a 3/32" drill bit.
- Install the two #6 x 1-1/4" strike screws. Adjust the strike for proper operation.



NOTE: Shims are included if it is necessary to build out the strike.

