



# Storm Door Collection

MAKE A WELCOMING IMPRESSION THAT LASTS



Storm doors that

stand out.





Pella's attractive selection of storm doors is designed to suit your personal tastes and complement the beauty of your entryway. Pella® storm doors use heavy-duty materials that provide smooth, dependable operation for years to come. Plus the thoughtful details make an attractive first impression.



### **What can storm doors do for you?**

Enhance the beauty of your entrance with elegant storm door designs to fit your home's style. A storm door is a multi-purpose accessory that you'll enjoy for years to come.



### **Let the outside in.**

Invite sunlight and a breeze into your home. The storm door glass panel can be converted into a screen door to gain more seasonal ventilation.

Because we're always working to refine and develop products, specifications may change without notice. Actual product may vary slightly from illustrations and photos. Due to printing limitations, actual colors may vary from those shown.

Reliable

# protection.



### Exceptional energy efficiency.

Pella® storm doors with Low-E glass are energy-efficient and help block the sun's fading UV rays (select models).

### Double weatherstrip.

Overlapping frame with double weatherstrip offers a clean look and a tight seal against the elements.





**Backed by one of the best warranties in the business.**

Every Pella® storm door is backed by our Lifetime Storm Door Protection Plan. Visit [PellaStormDoors.com](http://PellaStormDoors.com) for complete warranty details.



**Express Installation.**

Pella Express Install® means your new storm door can be installed in as little as 60 minutes.<sup>1</sup>



**Installation screws are covered** for a clean, finished appearance.



**One-Touch®** closer holds door open with a touch of a button (select models).



**Fully tempered glass** ensures added safety.



**Two closers** ensure smooth operation and are **color-matched** to the door.



Overlapping frame with **double weatherstrip** prevents drafts and offers a clean look.



**Heavy-duty hinges** provide dependable performance.

<sup>1</sup> On a typical installation. See specific product information for availability.

# Pella® Select® storm doors

With Pella Select storm doors, you can create a door that's inviting and beautiful. Create hundreds of distinctive combinations with our wide array of hardware finishes, colors and dazzling glass options that put the spotlight on your entryway.

- Seasonal ventilation with an interchangeable full screen
- Durable aluminum frame has reinforced corners
- Keyed deadbolt provides peace of mind
- Adjustable bottom expander fits uneven sills
- Two color-matched closers provide smooth closing action
- Concealed installation screws offer a finished look

## Reflect your personal style.

Select models are available in 8 frame colors, nine distinctive glass designs and stylish handles in a choice of five finishes.



36"x81" Low-E, Clear, & Decorative  
32"x81" Low-E & Clear  
Custom Sizes Available

## Glass.

Give your home curb appeal with our exclusive glass designs. Glass panels are interchangeable with a full screen (screen included with frame). Glass is fully tempered for added safety.



<sup>1</sup> Venetian has fixed insulating glass. Screen not available.

## DESIGN FLEXIBILITY.

### Personalize your entrance.

Our widest range of frame colors, hardware finishes and fullview glass designs help you instantly transform your entryway.

### Enjoy maximum light and breeze.

Pella Select fullview storm doors invite the light inside with full glass. Gain comfort in all seasons with the interchangeable full screen.

### Let the beauty of your door shine through.

A storm door can increase curb appeal and complement your entry door. Choose from a variety of accent frame designs and stylish hardware to create a new look.



**One-Touch®**  
closer holds door  
open with a touch of a  
button.



Overlapping frame  
with **double weatherstrip**  
prevents drafts and offers a  
clean look.

### Select Hardware.

Choose decorative finishes to coordinate with other finishes in your home. Pella's stylish, easy-to-operate handle features a keyed deadbolt to provide added security and peace of mind.



# Pella® Select® Rolscreen® storm doors

Enjoy the best of both worlds - light and air. Pella Select Storm Doors with Rolscreen retractable screens offer a refreshing breeze, a clear view, or both.



## LIGHT AND FRESH AIR.

### Reflect your personal style.

Pella Rolscreen storm doors offer popular color and hardware finishes to enhance your curb appeal.



36" x 81" Low-E  
32" x 81" Low-E



5600E Fullview

5625E Midview



### Rolscreen Retractable Screen.

An exclusive operating system includes a conveniently concealed screen. Gently pull it down to provide ventilation. Lift it up, and it glides out of sight.

Choose midview or fullview glass for maximum light or more protection. Two models offer a stylish handle - inside and out - with a keyed deadbolt, available in five finishes. A One-Touch® closer holds the door open at the touch of a button.





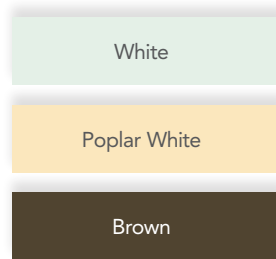
# Pella® Select® Rolscreen® storm doors



## LIGHT AND FRESH AIR.

### Reflect your personal style.

Pella Rolscreen storm doors offer popular color and hardware finishes to enhance your curb appeal.



36" x 81" Clear  
 32" x 81" Clear  
 30" x 81" & 34" x 81" (White and Brown Only)  
 Custom Sizes Available



3550 Highview  
Two panel molding

3525 Midview



Satin  
Nickel

Bright  
Brass

### Rolscreen Retractable Screen.

An exclusive operating system includes a conveniently concealed screen. Gently pull it down to provide ventilation. Lift it up, and it glides out of sight.

Multiple styles for a classic look, plus stylish exterior handles with integrated keylocks. Two closers ensure smooth operation and are color-matched to door.



Easy

install.





## Pella Express Install reduces installation time.

Pella Express Install® means your new storm door can be installed in as little as 60 minutes.<sup>1</sup>

### Fewer Hassles.

Preassembled parts make it easy.



### Flexible Sizing.

Adjustable frame helps you get to the right size.



### Prepped for Success.

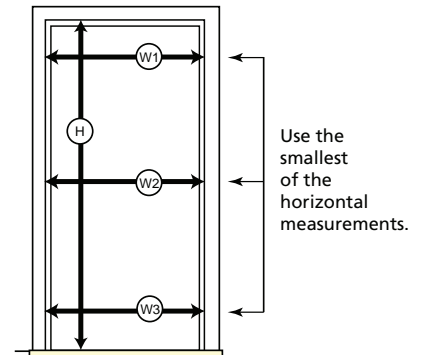
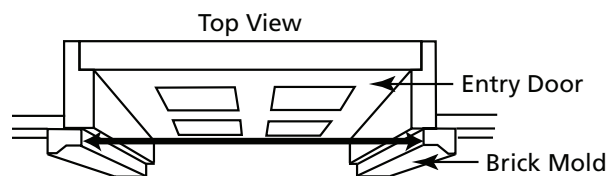
Pre-drilled holes for an easier installation.



## How to Measure.

Take the following measurements. If there is a difference in measurements W1, W2, and W3, use the smallest measurement when specifying your opening size.

<sup>1</sup>Results based on independent laboratory testing of storm door on a 3x2 light, raised panel, rail and stile construction wood entry door.



All Pella® storm doors feature Pella's Lifetime Storm Door Protection Plan, which provides replacement coverage for as long as you own your home. See the complete warranty for details.

Because we are always working to further refine our products and develop new ones, specifications may change without notice. Actual products may vary slightly from illustrations and photos.

Customer Service Hotline  
888-646-5354

